

 **ATARI**[®]

MEGA 1

OKTOBER 1989

 **ATARI**®

... wir machen Spitzentechnologie preiswert.

Schaltungsdienst Lange

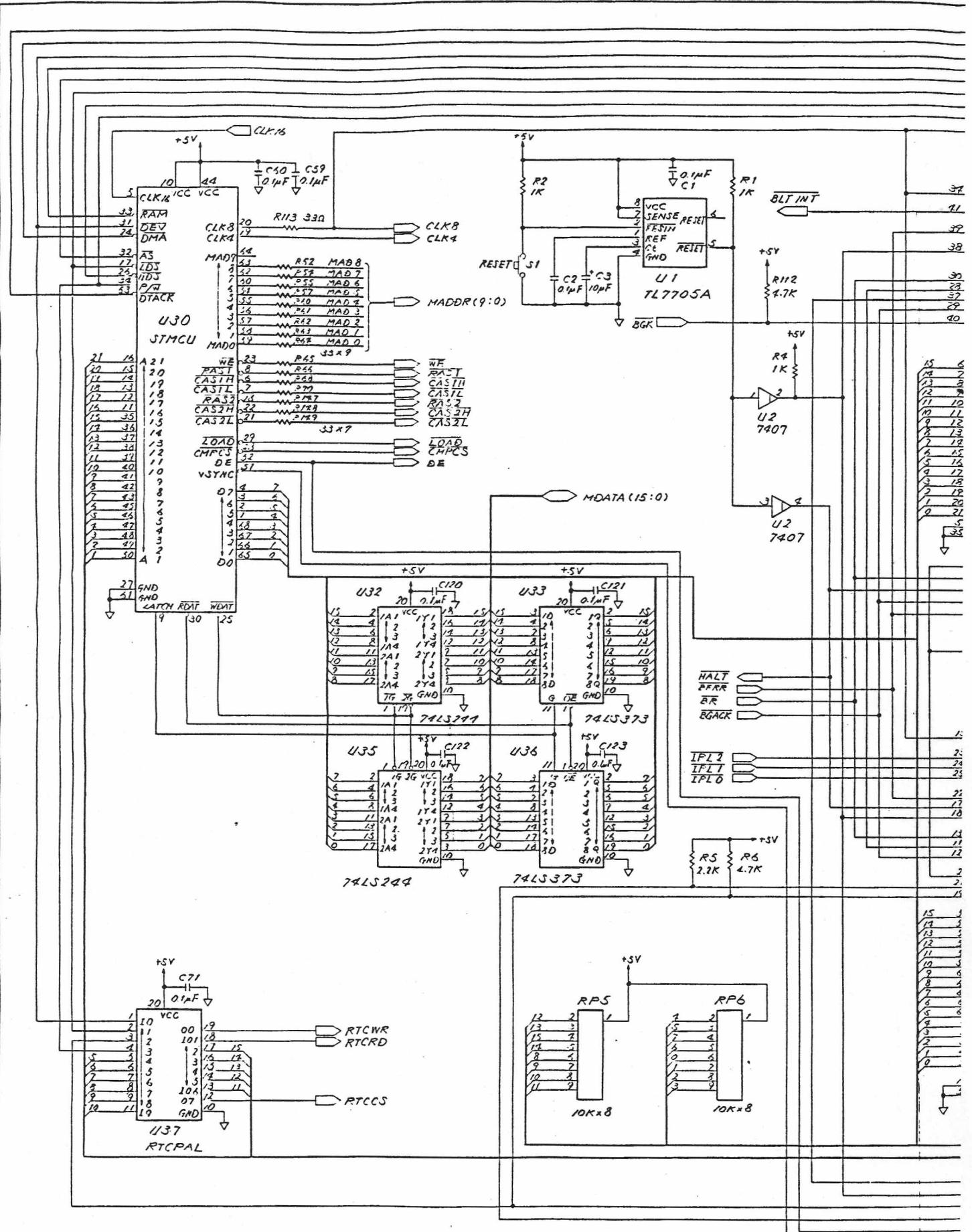
Circuit-Diagram-Service in Germany
Inhaber M. Trautvetter
Mohriner Allee 30 · D-1000 Berlin 47

Telefon 0 30/7 03 60 60

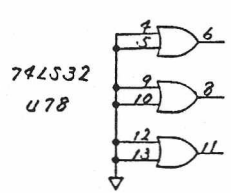
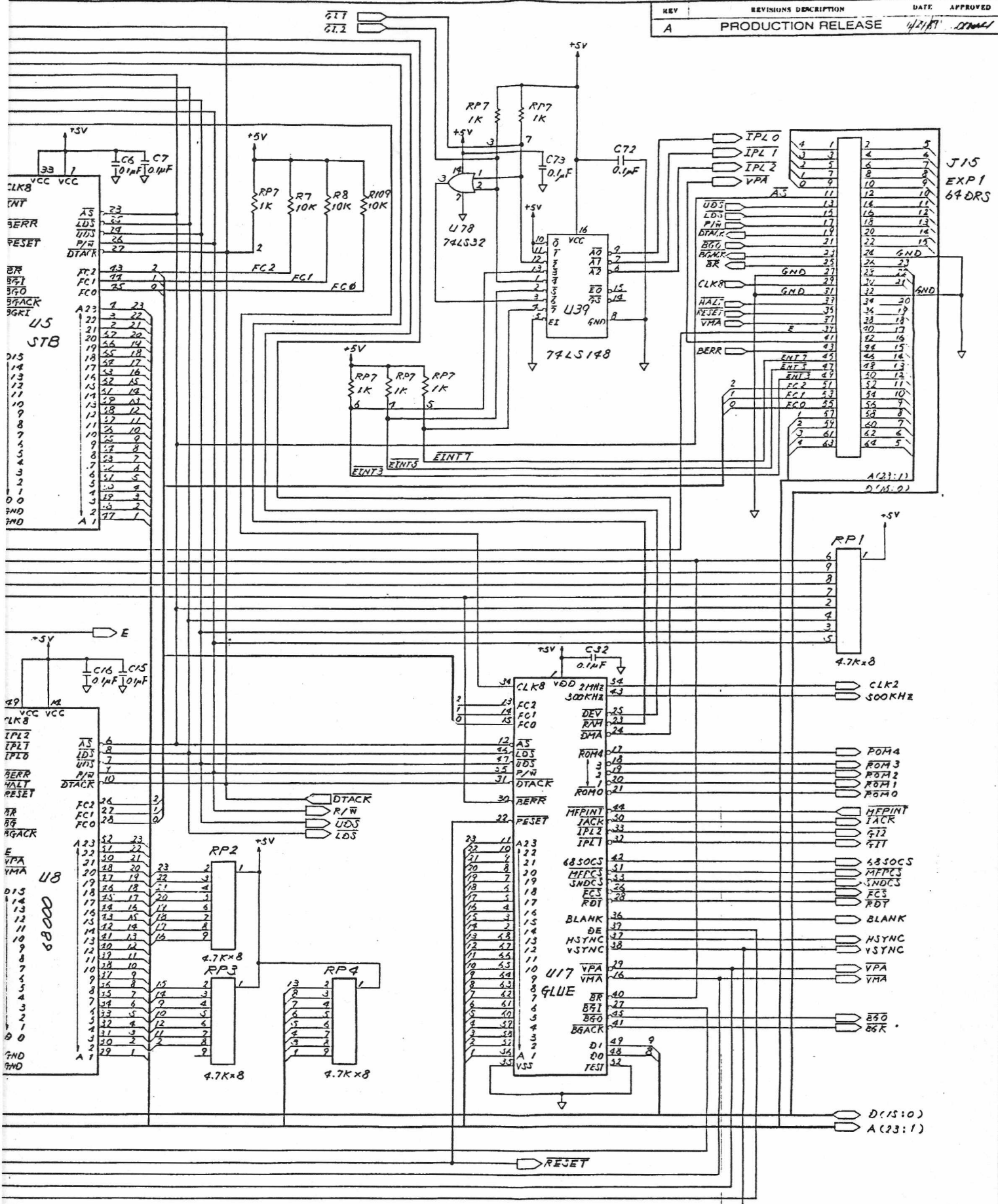
Telex 184 339

BTX * 360 310 000 140 #

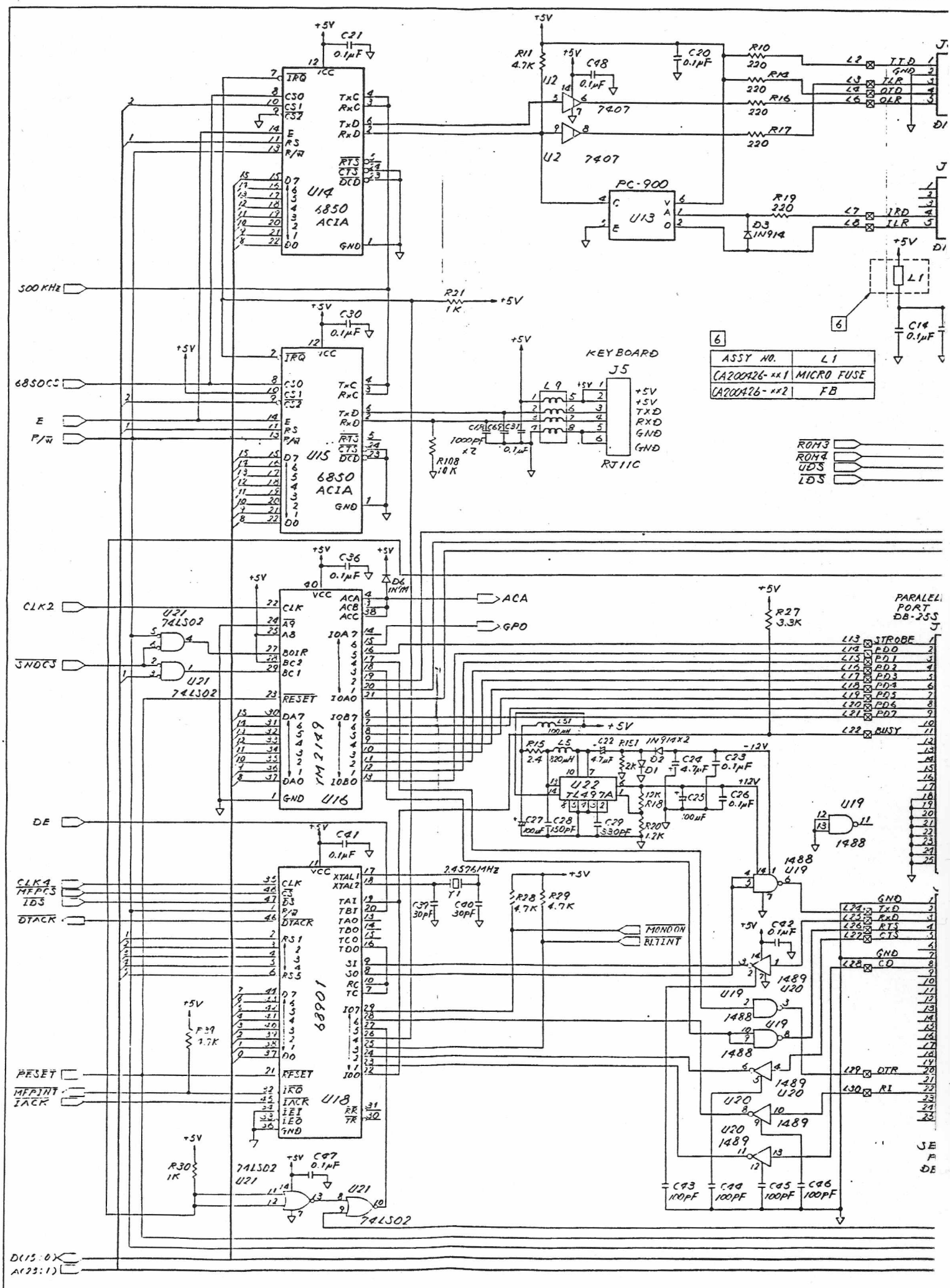
Telefax 0 30/7 03 60 77



- 5. ROM TABLE : SEE SHEET 5 OF 6.
 - 4. NOT REQUIRED FOR ASSY NO. CA200926-xx1.
 - 3. PUT JUMPER WIRE FROM (10) TO (10) (IN DETAIL A' L2~4, 6~8, 13~22, 24~30, 32~43) ASSY NO. CA200926-xx2.
 - 2. NOISE FILTER : SEE DETAIL 1.
 - 1. RESISTORS ARE MEASURED IN OHMS.
- NOTES-UNLESS OTHERWISE SPECIFIED :



USED ON MEGA 1 NEXT ASSY	DRAWN BY E. KURAMOTO CHECKED K. KAWAMURA ENGINEER 1. Kobayashi APPROVED	DATE 6-1-88 DATE 6/10/88 DATE 6-13-88 DATE	ATARI (JAPAN) CORPORATION ATARI TITLE SCHEMATIC DIAGRAM MEGA 1 SCALE NONE
MATERIAL CA200426-xxx	APPROVED 2. Saito	DATE 1/25/81	SIZE C C103276 SHEET 1 OF 6



ASSY NO.	L1
CA200426-xx1	MICRO FUSE
CA200426-xx2	FB

- RON3
- RON4
- UDS
- LDS

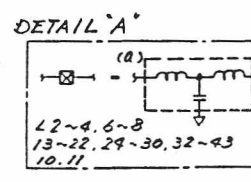
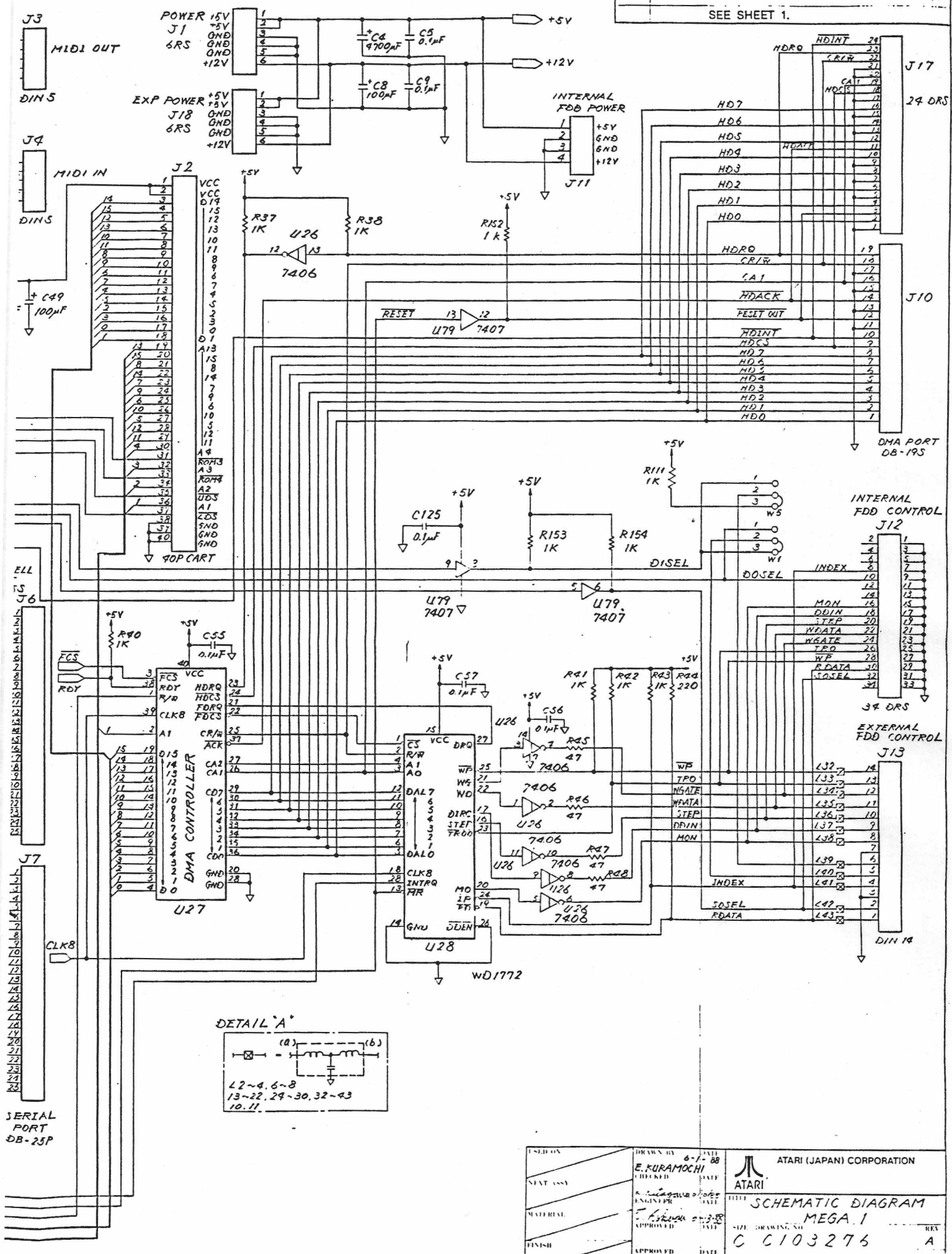
PARALLEL PORT DB-25S

- L13 STROBE
- L14 PDD
- L15 PD1
- L16 PD2
- L17 PD3
- L18 PD4
- L19 PD5
- L20 PD6
- L21 PD7
- L22 BUSY

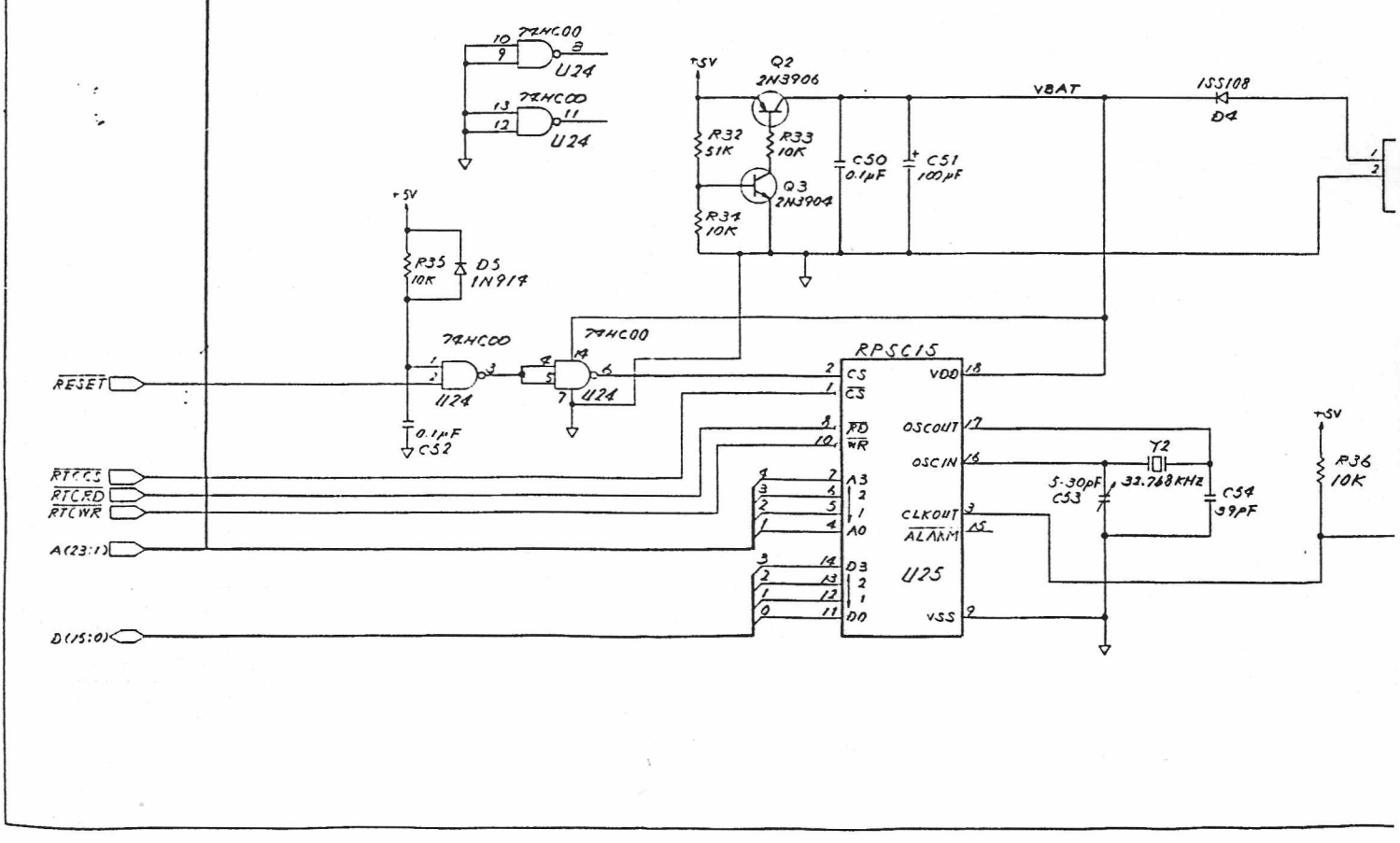
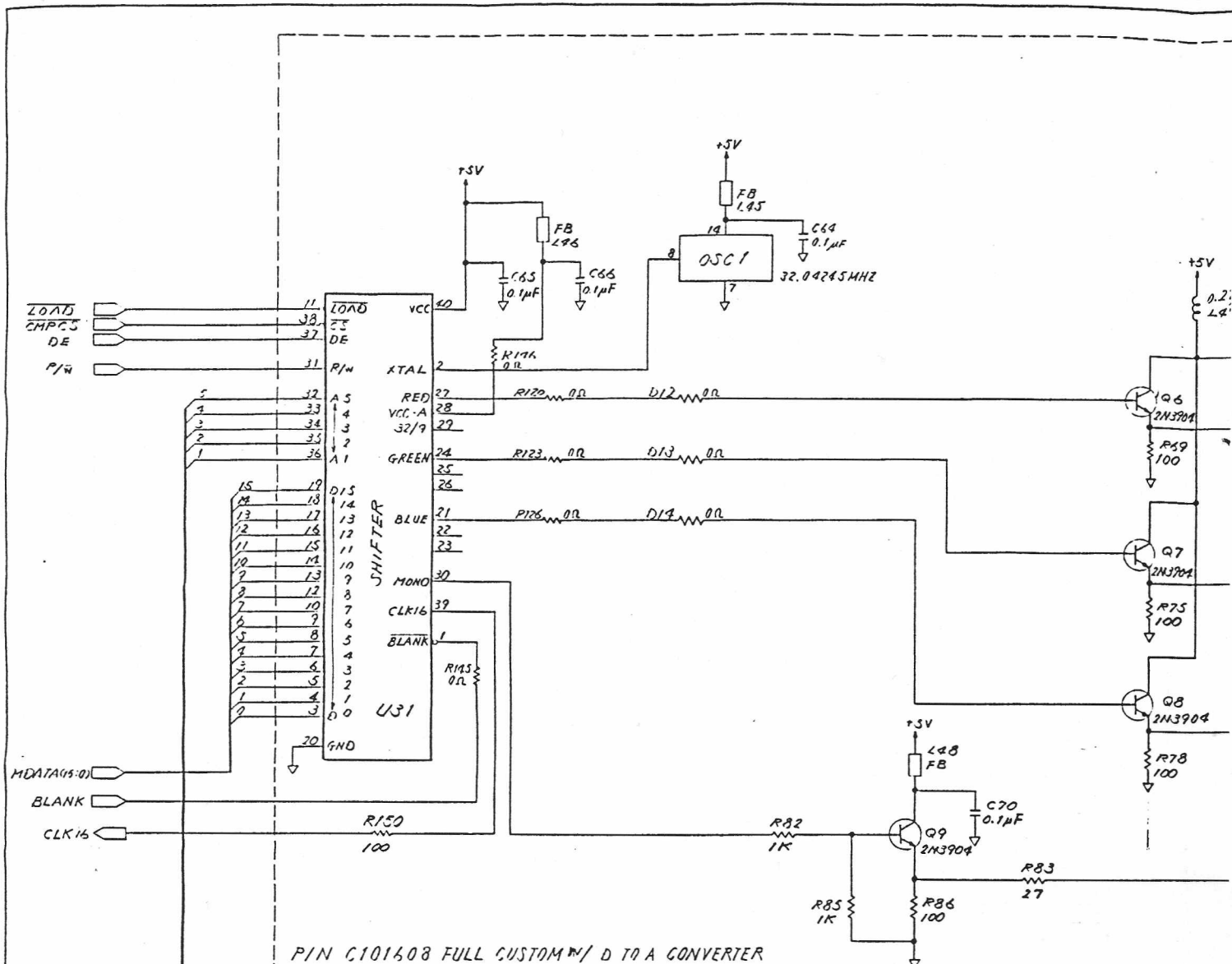
- GND
- L23 TxD
- L24 RxD
- L25 RTS
- L26 CTS
- GND
- L28 CD
- L29 DTR
- L30 RI

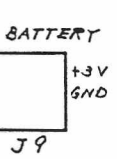
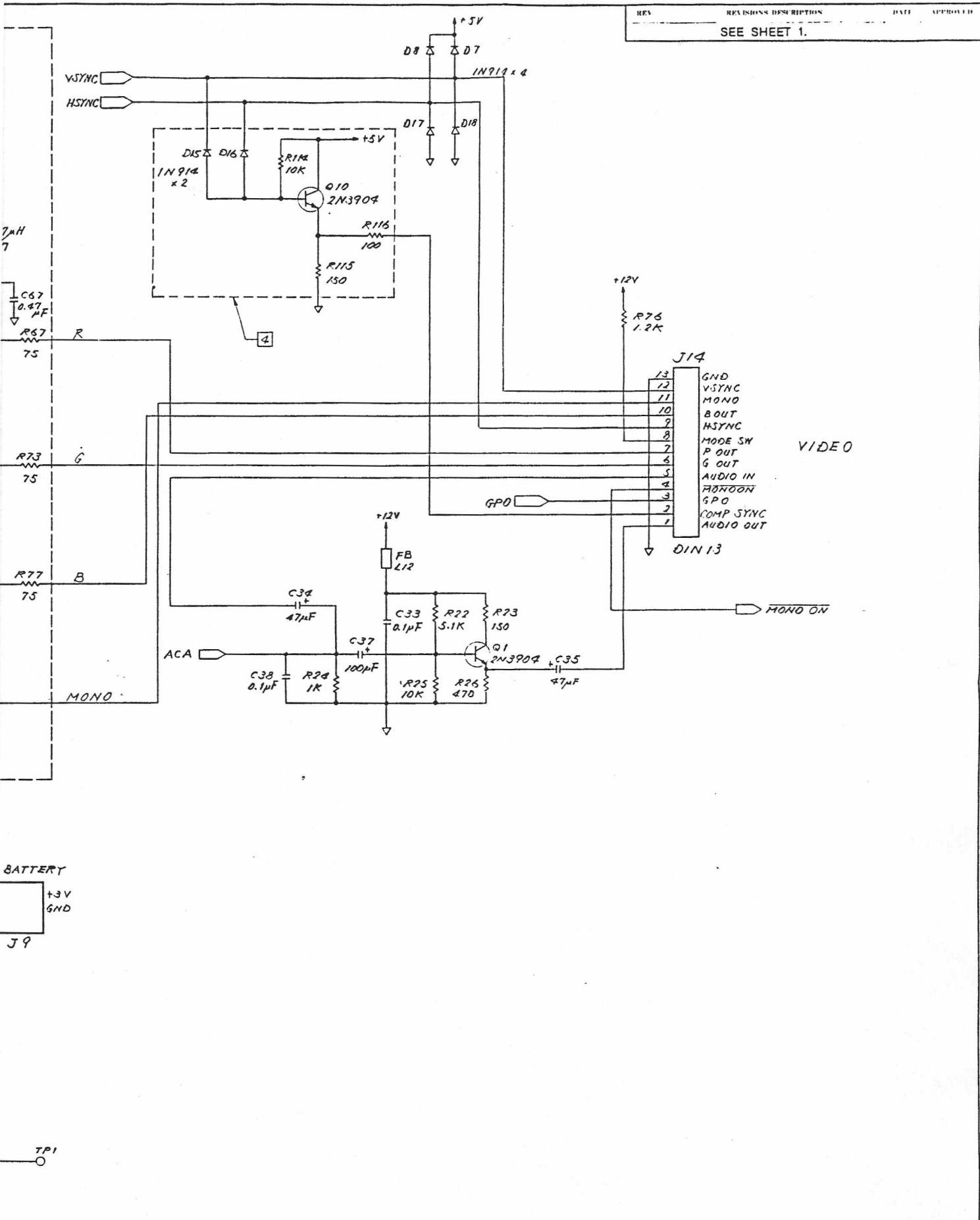
JE
F
DE

D(15:0)
A(23:1)

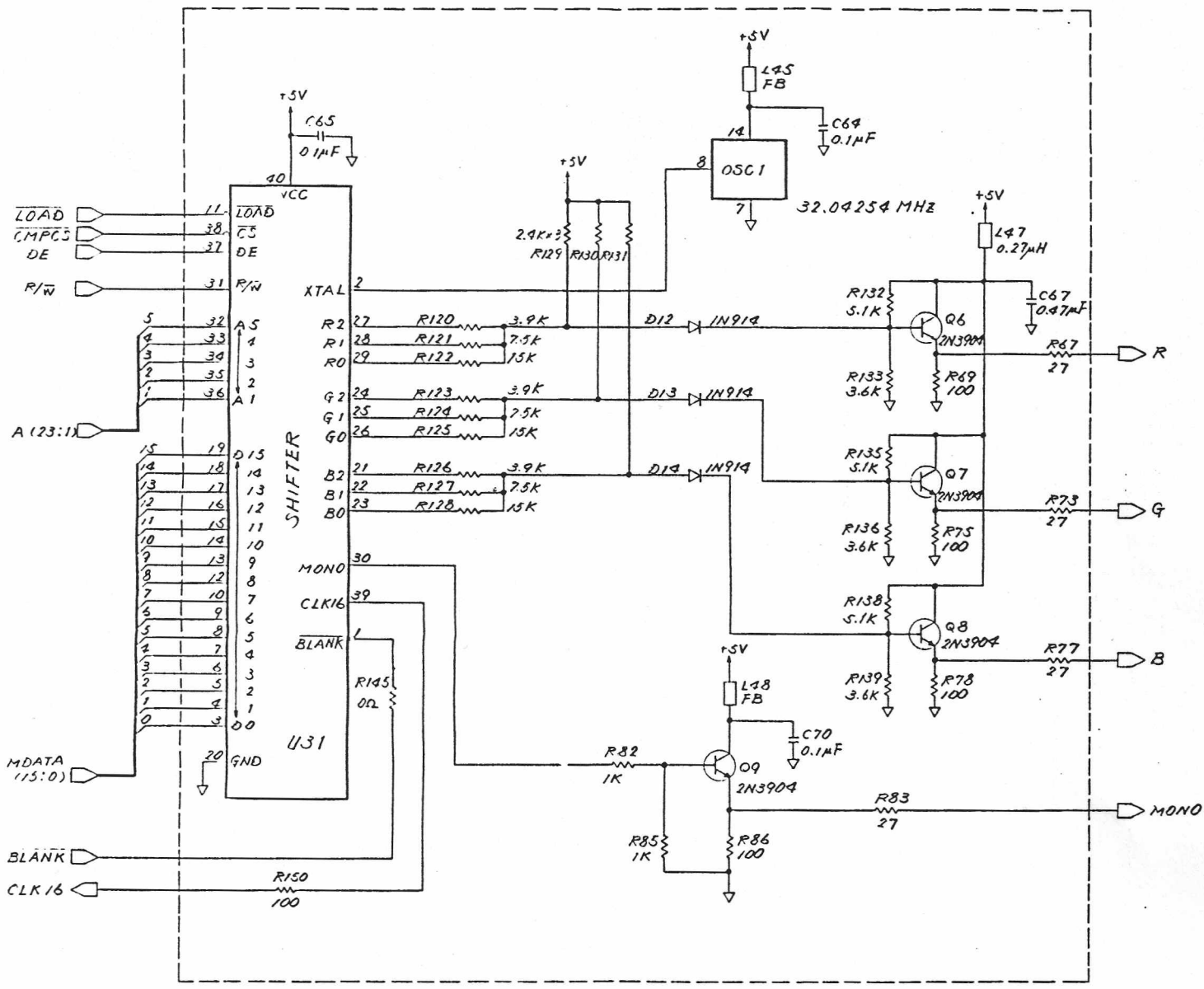


DESIGN	DRAWN BY	DATE	ATARI (JAPAN) CORPORATION ATARI
SEAT ASSY	E. KURAMOCHI	6-1-88	
MATERIAL	CHECKED	DATE	SCHEMATIC DIAGRAM MEGA-1
FINISH	APPROVED	DATE	
	APPROVED	DATE	SIZE DRAWING NO C C103276
			REV A
			ALL NONE
			SHEET 2 OF 6

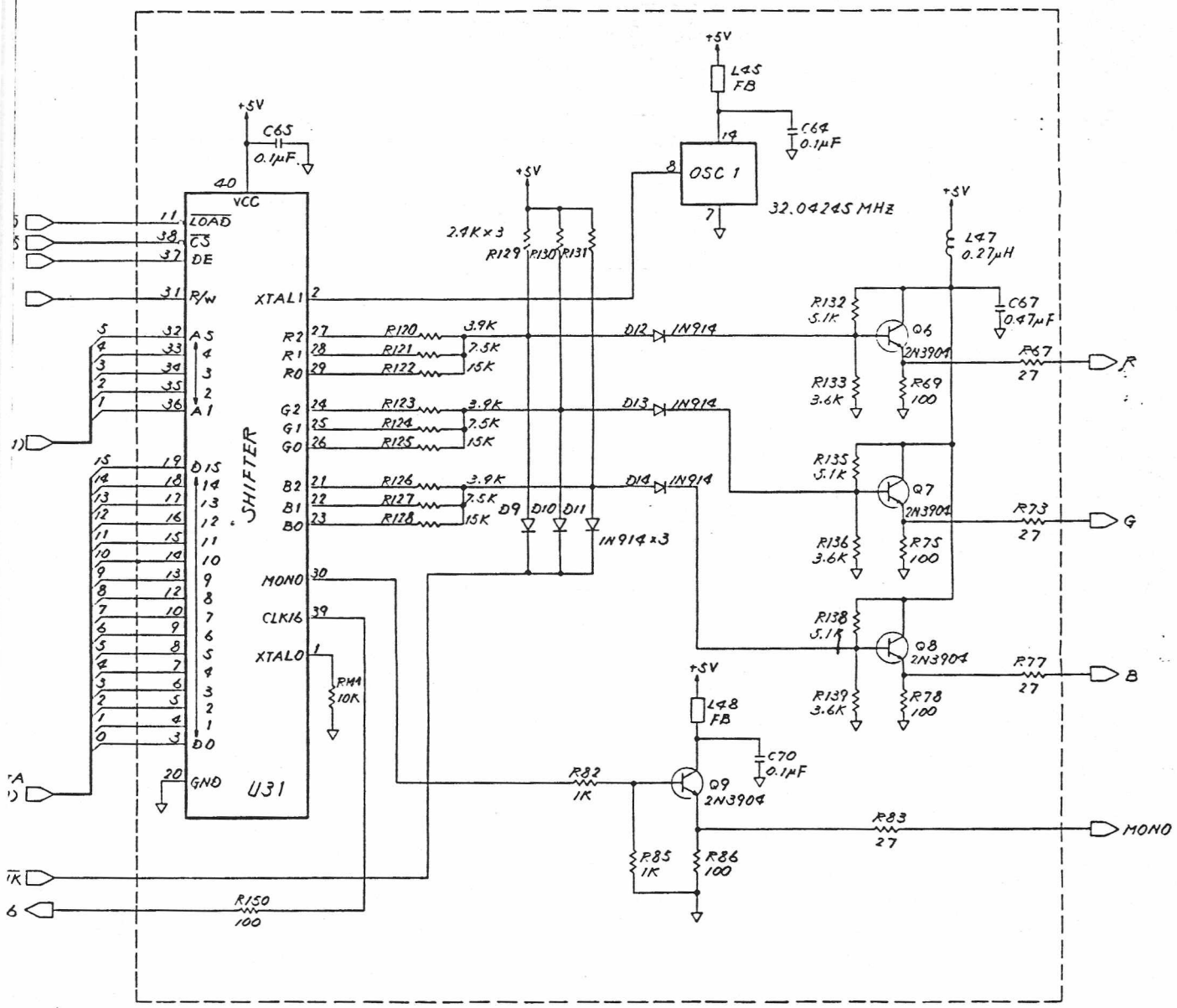




USED IN	DRAWN BY E. KURAMOCHI	DATE 6-7-88	ATARI (JAPAN) CORPORATION TITLE SCHEMATIC DIAGRAM MEGA 1
TEST ASSY	CHECKED E. Kuramochi	DATE 6-13-88	
MATERIAL	APPROVED T. Kuramochi	DATE 6-13-88	SIZE DRAWING NO C 0103276
FINISH	APPROVED T. Kuramochi	DATE 6-13-88	REV A
SCALE NONE			SHEET 3 OF 6

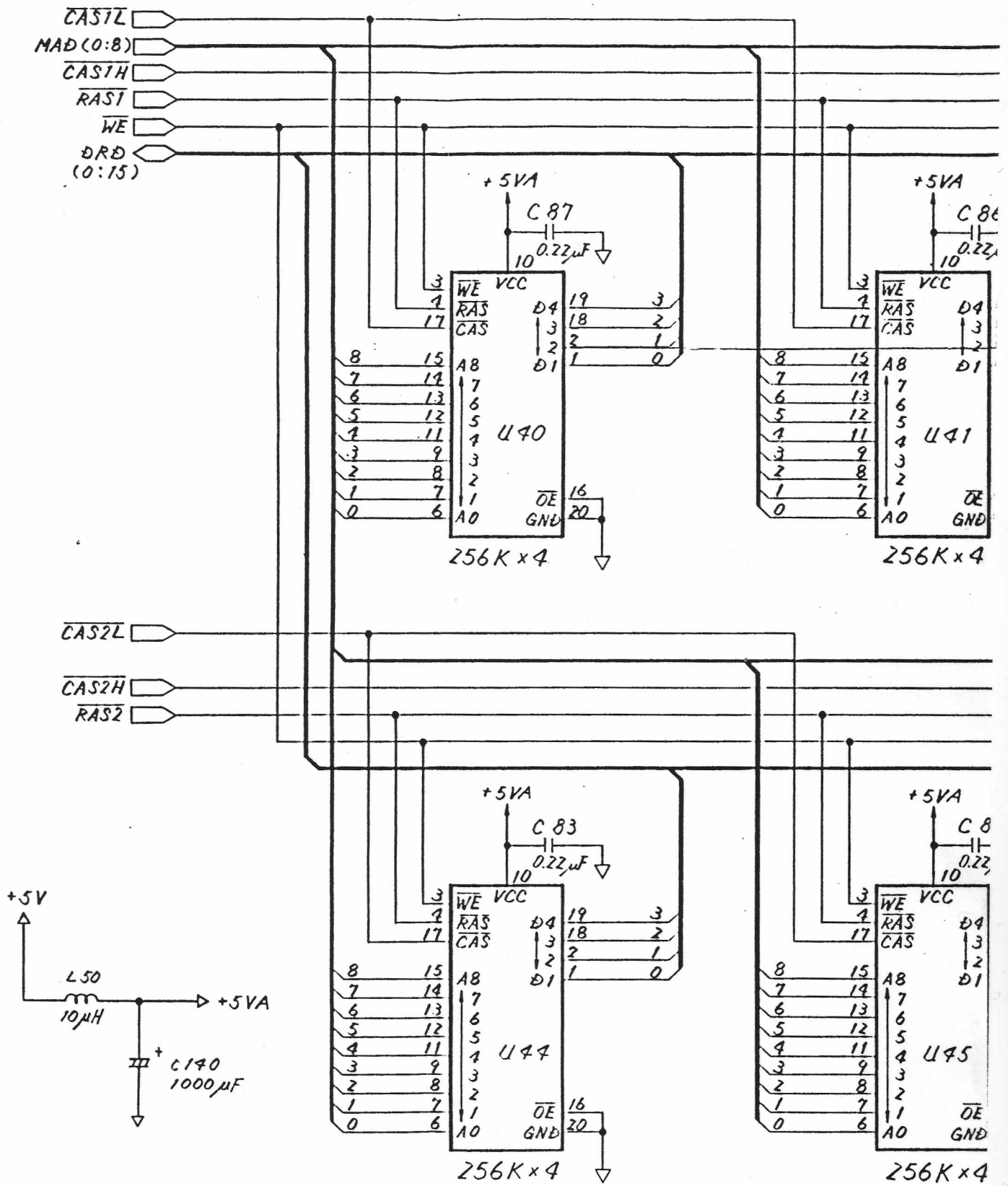


PIN 0070713 FULL CUSTOM V/D D TO A CONVERTER

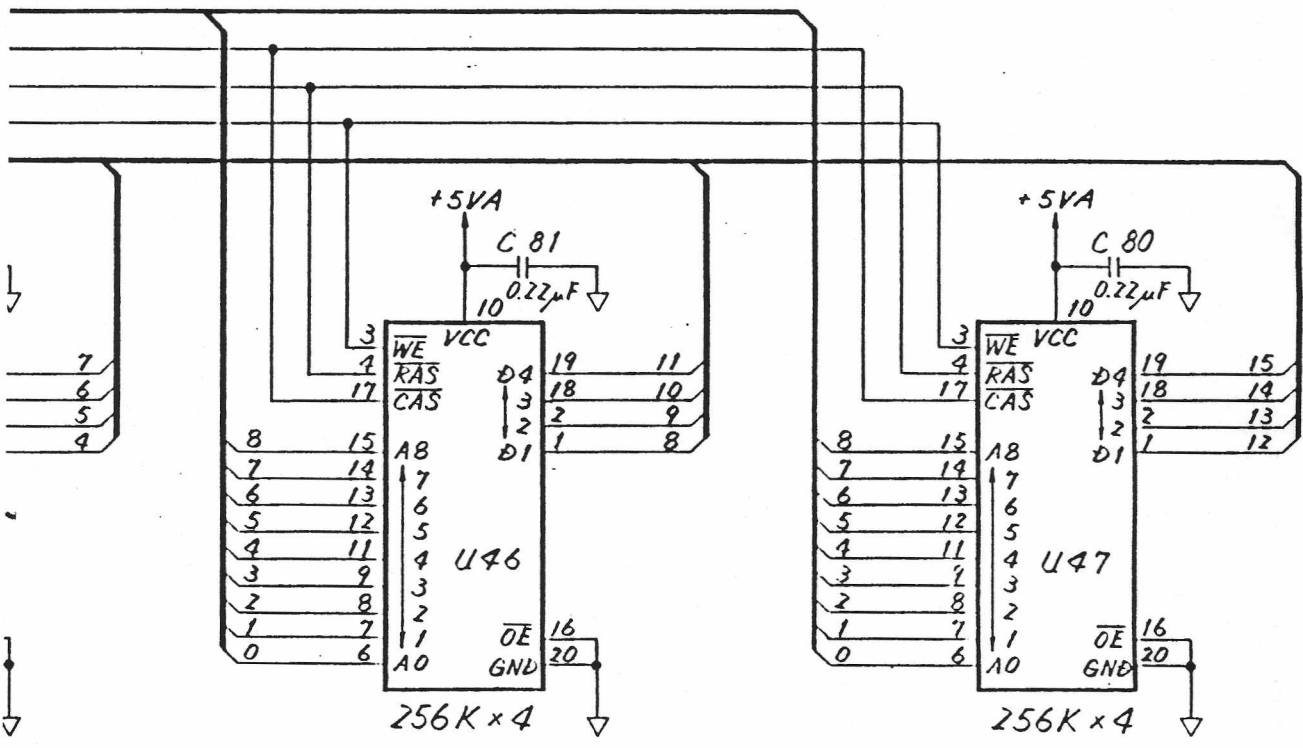
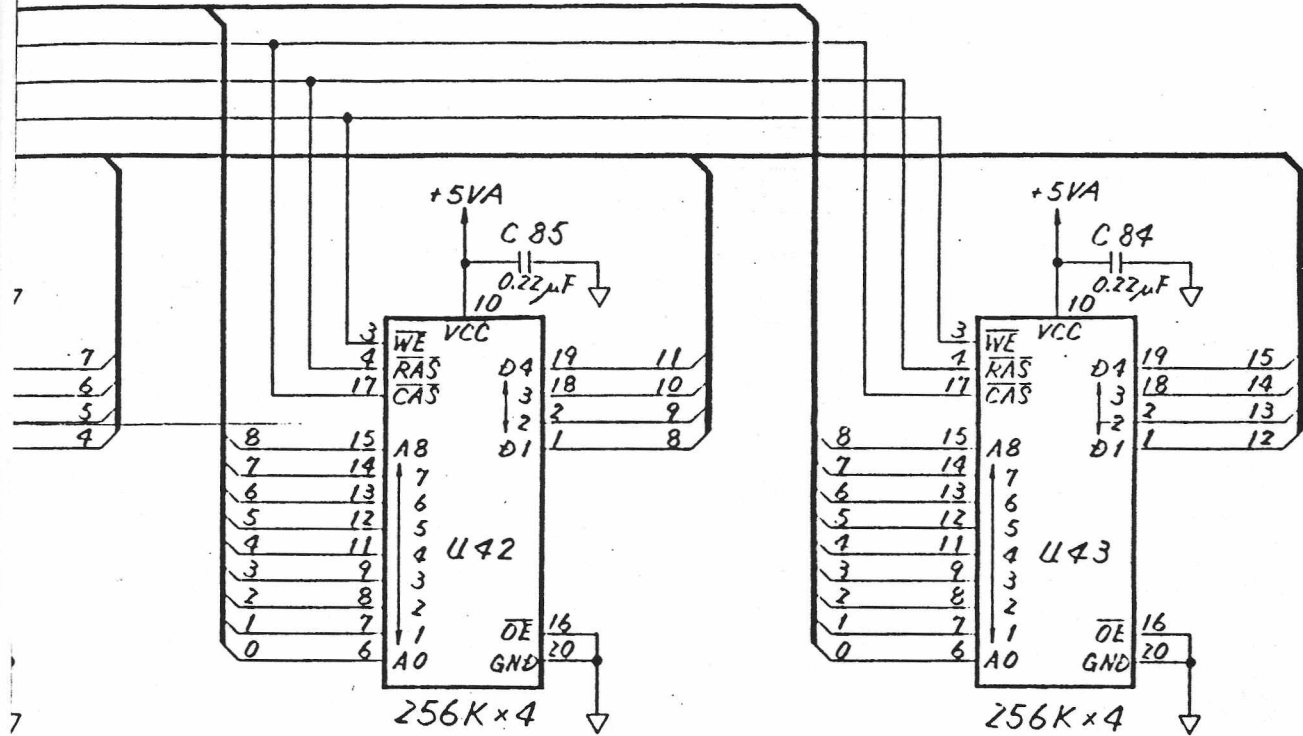



P/N C025914 GATE ARRAY W/O D TO A CONVERTER

DESIGN	DRAWN BY E. KURAMOCHI	DATE 6-1-88	ATARI (JAPAN) CORPORATION ATARI
NEXT ASSY	CHECKED	DATE	
MATERIAL	1. In Japan 1/10/88	DATE	TITLE SCHEMATIC DIAGRAM MEGA 1
FINISH	APPROVED	DATE	SIZE DRAWING NO C C103276
	APPROVED	DATE	REV A
	1740	DATE	SCALE NONE SHEET 2 OF 6



NOTES—UNLESS OTHERWISE SPECIFIED:



USED ON	DRAWN BY E. KURAMOCHI	DATE 6-1-88	 ATARI (JAPAN) CORPORATION
NEXT ASSY	CHECKED K. Kitagawa	DATE 6/1/88	
MATERIAL	ENGINEER T. Kobayashi	DATE 6-13-88	TITLE SCHEMATIC DIAGRAM MEGA 1
FINISH	APPROVED S. OZAWA	DATE 7-1-88	SIZE DRAWING NO C C103276
			REV A
			SCALE NONE SHEET 6 OF 6

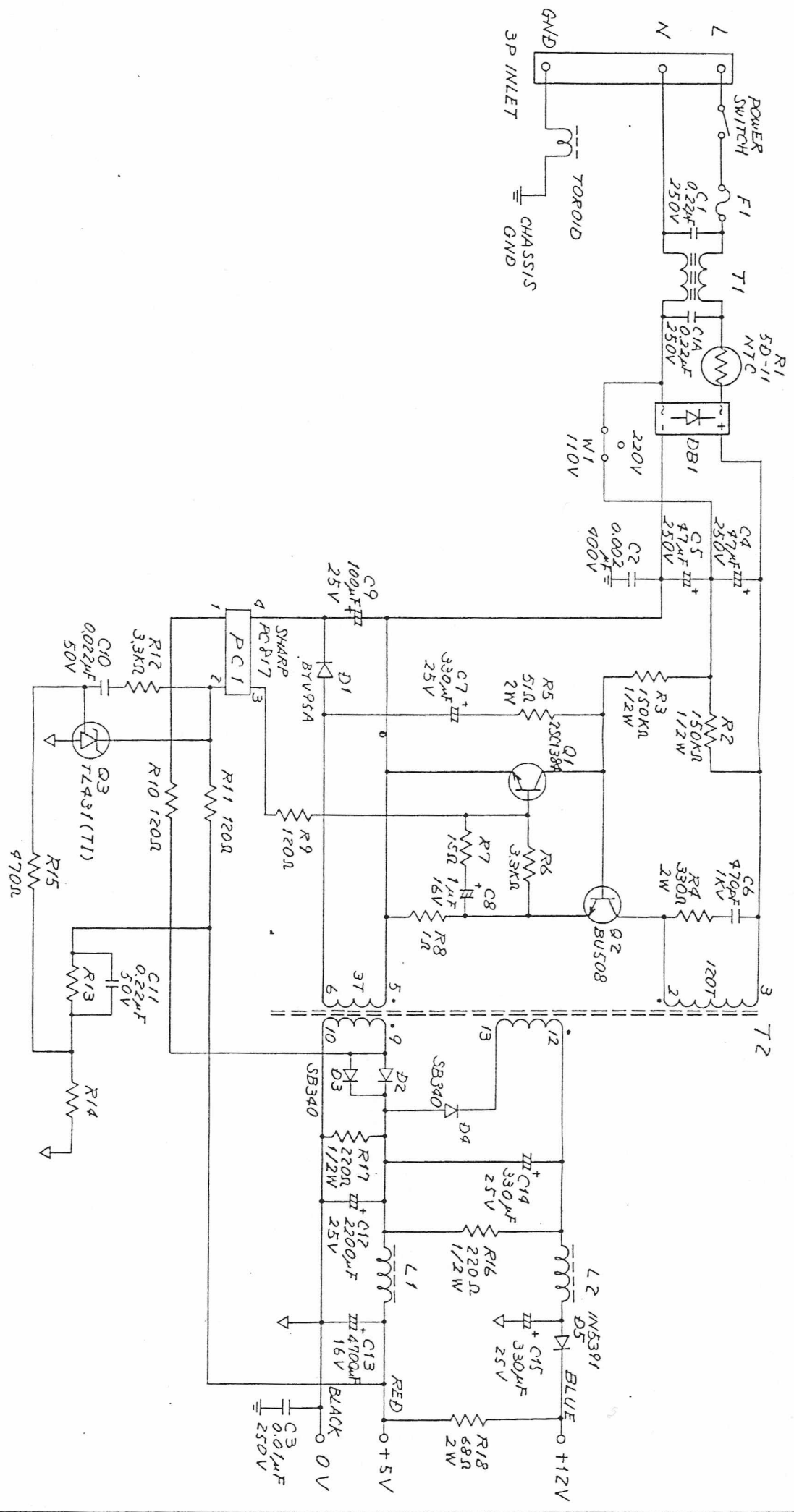
ASSY NO.	DESCRIPTION
CA200001 - 001	120V FOR ST (ASP34-1)(ASPF34-1)
- 002	220V FOR ST (ASP34-2)(ASPF34-2)
- 003	120V FOR SH204 (ASP34-3)
- 004	220V FOR SH204 (ASP34-4)
- 005	120V FOR SH205 (ASPF34-3)
CA200001 - 006	220V FOR SH205 (ASPF34-4)

REV.	REVISIONS DESCRIPTION	DATE	APPROVED
A	PRODUCTION RELEASE	7/2/87	[Signature]
B	REVISED P/R ECO 110.00001	7/2/87	[Signature]

DATED ON ASP34-X ASPF34-X NEXT ASSY CA200000-XXX CA200003-XXX MATERIAL	DRAWN BY H. Yamamoto CHECKED K. K. Takano ENGINEER A. Shigaoka APPROVED [Signature]	DATE 8-1-86 9-9-86 DATE 7/2/87	TITLE PCB ASSY SIZE B DRAWING NO CA200001-XXX SCALE 1 OF 7
--	--	--	---

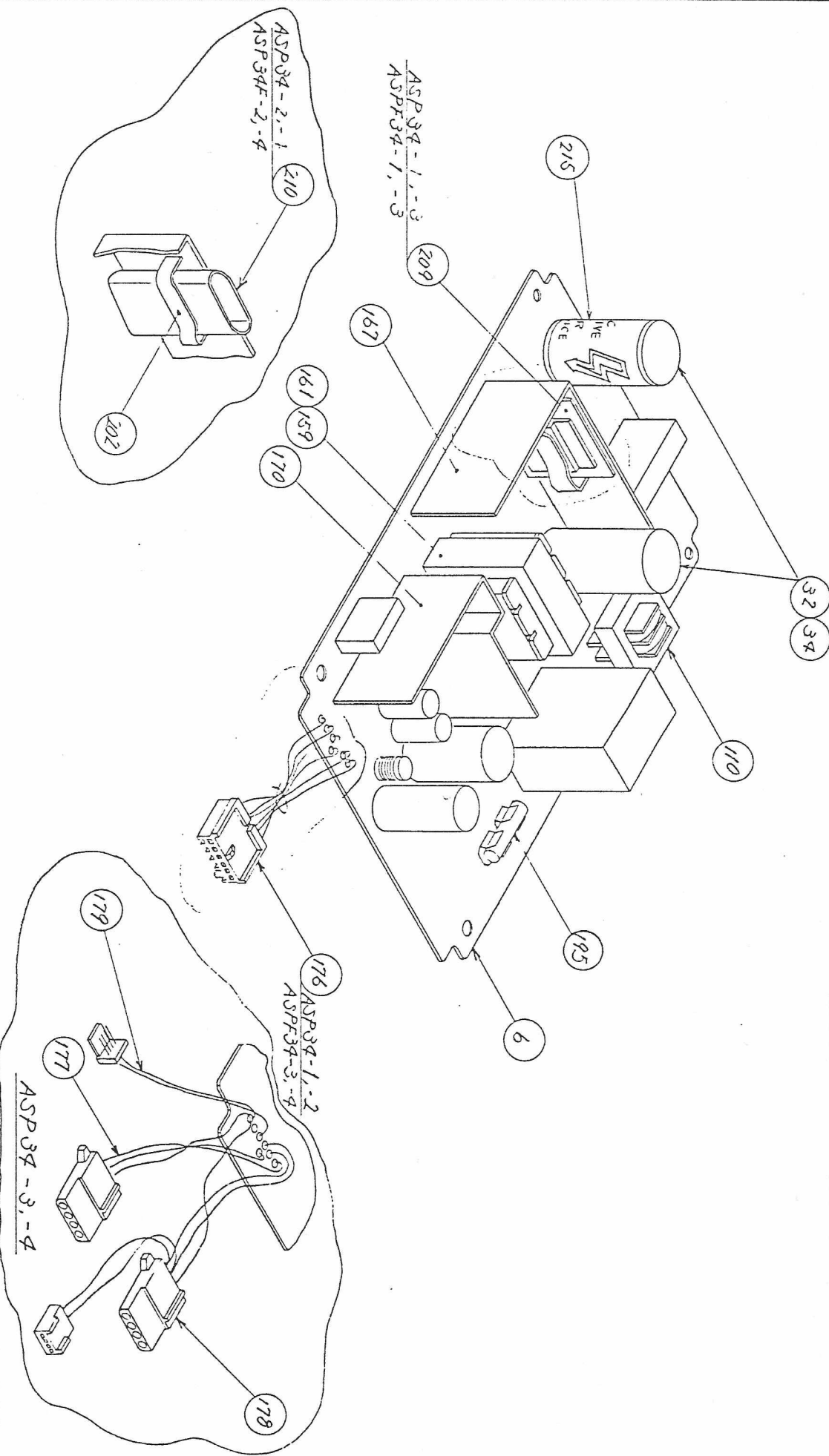
NOTES-UNLESS OTHERWISE SPECIFIED :

REV	REVISIONS DESCRIPTION	DATE	APPROVED
A	PRODUCTION RELEASE	2/20/87	MALE



TOLERANCES		TYPED ON	
UNDER 30	± 0.1	ASP 34-1	
30 THRU 300	± 0.2	NEXT ASSY	
OVER 300	± 0.4	FINISH	
MATERIAL		DRAWN BY	
		TYO/KA	
DATE		DATE	
9-18-86		4/23/87	
ENGINEER		CHECKED	
A. Shinagawa		K. K. Shinagawa	
DATE		DATE	
10-23-86		9-18-86	
APPROVED		APPROVED	
DATE		DATE	
12/3/86		12/3/86	
TITLE		ATARI (JAPAN) CORPORATION	
SCHEMATIC DIAGRAM		Toranomon Kiyoshi Building 3F	
SIZE DRAWING NO.		4-3-10, Toranomon Minato-ku, Tokyo 105	
SCALE		NONE	
SHEET		1 OF 1	
REV		A	

REV	REVISIONS DESCRIPTION	DATE	APPROVED
	SEE SHEET 1.		



TOLERANCES		DRAWN BY	DATE	TITLE	
UNDER 30	± 0.1	HAWAYAMA	8-25-86	PCB ASSY	
30 THRU 300	± 0.2	K. K. KAWAYAMA	2-9-86	ATARI® Toranomon Kiyoshi Building 3F 4-3-10, Toranomon Minato-ku, Tokyo 105	
OVER 300	± 0.4	A. SHINAGAWA	2-16-87	SIZE DRAWING NO. REV	
MATERIAL		APPROVED	DATE	B CA200001-XXX B	
FINISH		DATE	DATE	SCALE NONE SHEET 7 OF 7	
APPLICATION		USED ON	DATE	THIRD ANGLE SYSTEM, DIMENSION: mm	
NEXT ASSY		DATE	DATE		
CA200003-XXX		ASP34-3, -4	2/17/87		
CA200002-XXX		ASP34-X	2/17/87		

NOTES—UNLESS OTHERWISE SPECIFIED: